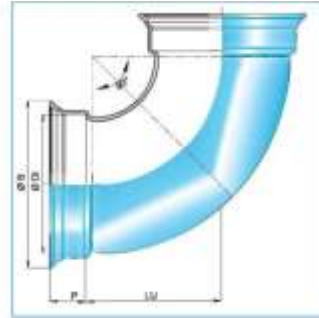


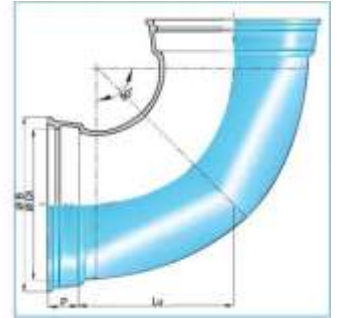
1.9. DN от 60 до 600 / Отводы раструбные с соединением EXPRESS

Сфера применения:

Питьевое
водоснабжение



DN
60-200



DN
350-600

Основные характеристики:

Внутреннее и внешнее эпоксидное покрытие в соответствии со стандартом EN 545, ISO 2531, цвет голубой

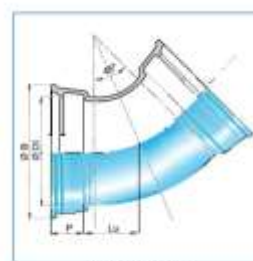
| Угол | DN | Lu | P | DI | B | Вес (кг) | Reference |
|------|-----|------|-----|-------|-------|-------------|-----------|
| | | | | | | | |
| 90° | 60 | 75 | 76 | 80.3 | 143.5 | 6.4 | NEA60CA |
| 90° | 80 | 91.5 | 79 | 101.4 | 167.5 | 8.7 | NEA80CA |
| 90° | 100 | 102 | 80 | 121.4 | 187.5 | 6.8 | NEB 10CA |
| 90° | 125 | 130 | 83 | 147.4 | 214.5 | 9.0 | NEB 12C A |
| 90° | 150 | 150 | 86 | 173.4 | 241.5 | 11.5 | NEB15CA |
| 90° | 200 | 200 | 92 | 225.5 | 294.5 | 18.8 | NEB 20C A |
| 90° | 250 | 250 | 100 | 276.8 | 351.0 | 33.5 | NEB25CA |
| 90° | 300 | 280 | 105 | 328.8 | 408.2 | 43.1 | NEB30CA |
| 90° | 350 | 390 | 110 | 380.8 | 463.2 | 95.0 | NEB35CA |
| 90° | 400 | 436 | 110 | 432.0 | 515.2 | 140.0 | NEB40CA |
| 90° | 450 | 482 | 120 | 483.0 | 575.0 | 170.0 | NEB45CA |
| 90° | 500 | 525 | 120 | 535.0 | 628.2 | 215.0 | NEB50CA |
| 90° | 600 | 624 | 135 | 638.6 | 737.5 | 312.0 | NEB60CA |



DN 60-200



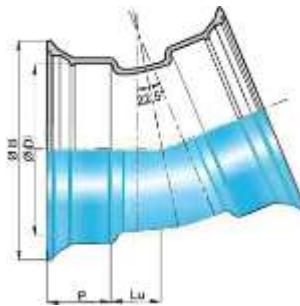
DN 250-300



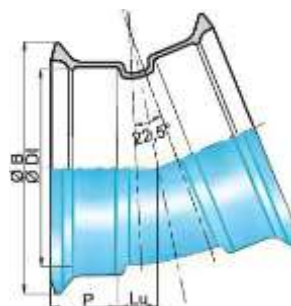
DN 350-600

| Угол | DN | Lu | P | DI | B | Вес (кг) | Артикул |
|------|-----|------|-----|-------|-------|-------------|---------|
| | | | | | | | |
| 45° | 60 | 76 | 76 | 80.3 | 143.5 | 6.7 | NEA60CB |
| 45° | 80 | 56.5 | 79 | 101.4 | 167.5 | 8.1 | NEA80CB |
| 45° | 100 | 60 | 80 | 121.4 | 187.5 | 6.0 | NEB10CB |
| 45° | 125 | 65 | 83 | 147.4 | 214.5 | 7.6 | NEB12CB |
| 45° | 150 | 75 | 86 | 173.4 | 241.5 | 9.5 | NEB15CB |
| 45° | 200 | 95 | 92 | 225.5 | 294.5 | 14.6 | NEB20CB |
| 45° | 250 | 115 | 100 | 276.8 | 351.0 | 25.9 | NEB25CB |
| 45° | 300 | 150 | 105 | 328.8 | 408.2 | 35.6 | NEB30CB |
| 45° | 350 | 168 | 110 | 380.8 | 463.2 | 72.0 | NEB35CB |
| 45° | 400 | 189 | 110 | 432.0 | 515.2 | 91.0 | NEB40CB |

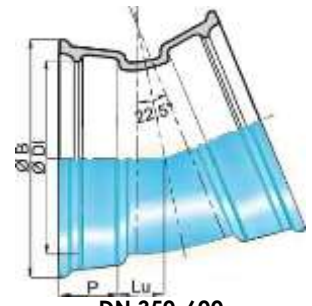
| | | | | | | | |
|------------|-----|-----|-----|-------|-------|-------|---------|
| 45° | 450 | 216 | 120 | 483.0 | 575.0 | 120.0 | NEB45CB |
| 45° | 500 | 220 | 120 | 535.0 | 628.2 | 155.0 | NEB50CB |
| 45° | 600 | 283 | 135 | 638.6 | 737.5 | 224.0 | NEB60CB |



DN 60-200

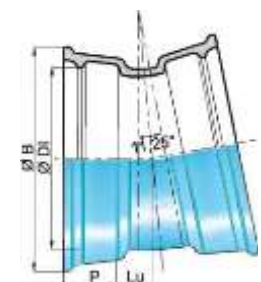
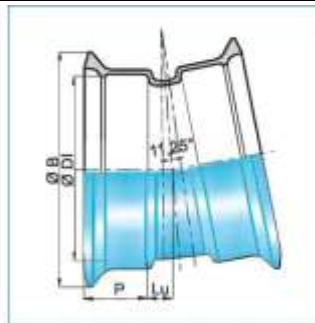
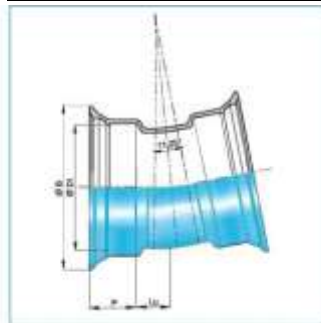


DN 250-300



DN 350-600

| Угол | DN | Lu | P | DI | B | Вес (кг) | Артикул |
|--------|-----|-----|-----|-------|-------|----------|---------|
| | | | | | | | |
| 22.30° | 60 | 30 | 76 | 80.3 | 143.5 | 5.6 | NEA60CD |
| 22.30° | 80 | 32 | 79 | 101.4 | 167.5 | 7.4 | NEA80CD |
| 22.30° | 100 | 35 | 80 | 121.4 | 187.5 | 5.4 | NEB10CD |
| 22.30° | 125 | 40 | 83 | 147.4 | 214.5 | 6.8 | NEB12CD |
| 22.30° | 150 | 45 | 86 | 173.4 | 241.5 | 8.4 | NEB15CD |
| 22.30° | 200 | 55 | 92 | 225.5 | 294.5 | 12.5 | NEB20CD |
| 22.30° | 250 | 65 | 100 | 276.8 | 351.0 | 22.0 | NEB25CD |
| 22.30° | 300 | 75 | 105 | 328.8 | 408.2 | 28.6 | NEB30CD |
| 22.30° | 350 | 78 | 110 | 380.8 | 463.2 | 57.0 | NEB35CD |
| 22.30° | 400 | 92 | 110 | 432.0 | 515.2 | 71.0 | NEB40CD |
| 22.30° | 450 | 100 | 120 | 483.0 | 575.0 | 92.0 | NEB45CD |
| 22.30° | 500 | 110 | 120 | 535.0 | 628.2 | 118.0 | NEB50CD |
| 22.30° | 600 | 140 | 135 | 638.6 | 737.5 | 166.0 | NEB60CD |



DN 350-600

| Угол | DN | Lu | P | DI | B | Вес (кг) | Артикул |
|--------|-----|----|-----|-------|-------|----------|----------|
| | | | | | | | |
| 11.15° | 60 | 35 | 76 | 80.3 | 143.5 | 5.7 | NEA60CE |
| 11.15° | 80 | 40 | 79 | 101.4 | 167.5 | 7.6 | NEA80CE |
| 11.15° | 100 | 30 | 80 | 121.4 | 187.5 | 5.3 | NEB 10CE |
| 11.15° | 125 | 35 | 83 | 147.4 | 214.5 | 6.6 | NEB12CE |
| 11.15° | 150 | 35 | 86 | 173.4 | 241.5 | 8.0 | NEB15CE |
| 11.15° | 200 | 40 | 92 | 225.5 | 294.5 | 11.6 | NEB20CE |
| 11.15° | 250 | 50 | 100 | 276.8 | 351.0 | 20.8 | NEB25CE |
| 11.15° | 300 | 55 | 105 | 328.8 | 408.2 | 26.6 | NEB30CE |
| 11.15° | 350 | 53 | 110 | 380.8 | 463.2 | 48.5 | NEB35CE |
| 11.15° | 400 | 58 | 110 | 432.0 | 515.2 | 64.5 | NEB40CE |
| 11.15° | 450 | 67 | 120 | 483.0 | 575.0 | 84.0 | NEB45CE |
| 11.15° | 500 | 71 | 120 | 535.0 | 628.2 | 106.0 | NEB50CE |
| 11.15° | 600 | 94 | 135 | 638.6 | 737.5 | 148.0 | NEB60CE |

2.14. DN от 60 to 600 / Тройник раструб-фланец с соединением EXPRESS

Сфера использования:

Питьевое водоснабжение

Основные характеристики:

Внутреннее и внешнее эпоксидное покрытие в соответствии со стандартом EN 545, ISO 2531, голубой цвет



DN 60 - 200

| DN | d | Lu | hu | P | DI | B | Вес (кг) | | | | Артикул | | | |
|-----|-----|-----|-----|----|-------|-------|----------|------|------|------|-----------|-----------|-----------|-----------|
| | | | | | | | мм | | | | PN10 | PN16 | PN25 | PN40 |
| 60 | 40 | 154 | 141 | 92 | 80.3 | 143.5 | 9.4 | 9.4 | 9.4 | 9.4 | NEA60UD1A | NEA60UD1A | NEA60UD1A | NEA60UD1A |
| 60 | 60 | 154 | 161 | 92 | 80.3 | 143.5 | 10.3 | 10.3 | 9.9 | 9.9 | NEA60UD1C | NEA60UD1C | NEA60UD3C | NEA60UD3C |
| 60 | 65 | 154 | 161 | 92 | 80.3 | 143.5 | 10.8 | 10.8 | 10.4 | 10.4 | NEA60UD1D | NEA60UD1D | NEA60UD3D | NEA60UD3D |
| 80 | 40 | 145 | 149 | 92 | 101.4 | 167.5 | 11.4 | 11.4 | 11.4 | 11.4 | NEA80UD1A | NEA80UD1A | NEA80UD1A | NEA80UD1A |
| 80 | 60 | 145 | 169 | 92 | 101.4 | 167.5 | 12.3 | 12.3 | 11.9 | 11.9 | NEA80UD1C | NEA80UD1C | NEA80UD3C | NEA80UD3C |
| 80 | 65 | 145 | 174 | 92 | 101.4 | 167.5 | 12.8 | 12.8 | 12.4 | 12.4 | NEA80UD1D | NEA80UD1D | NEA80UD3D | NEA80UD3D |
| 80 | 80 | 183 | 165 | 92 | 101.4 | 167.5 | 13.8 | 13.8 | 13.8 | 13.8 | NEA80UD1E | NEA80UD1E | NEA80UD1E | NEA80UD1E |
| 100 | 40 | 150 | 161 | 92 | 121.4 | 187.5 | 13.2 | 13.2 | 13.2 | 13.2 | NEB10UD1A | NEB10UD1A | NEB10UD1A | NEB10UD1A |
| 100 | 60 | 150 | 181 | 76 | 121.4 | 187.5 | 14.1 | 14.1 | 13.9 | 13.9 | NEB10UD1C | NEB10UD1C | NEB10UD3C | NEB10UD3C |
| 100 | 65 | 150 | 186 | 76 | 121.4 | 187.5 | 14.6 | 14.6 | 14.4 | 14.4 | NEB10UD1D | NEB10UD1D | NEB10UD3D | NEB10UD3D |
| 100 | 80 | 185 | 177 | 76 | 121.4 | 187.5 | 15.8 | 15.8 | 15.8 | 15.8 | NEB10UD1E | NEB10UD1E | NEB10UD1E | NEB10UD1E |
| 100 | 100 | 210 | 180 | 79 | 121.4 | 187.5 | 17.2 | 17.2 | 17.7 | 17.7 | NEB10UD1F | NEB10UD1F | NEB10UD3F | NEB10UD3F |
| 125 | 40 | 150 | 164 | 79 | 147.4 | 214.5 | 15.2 | 15.2 | 15.2 | 15.2 | NEB12UD1A | NEB12UD1A | NEB12UD1A | NEB12UD1A |
| 125 | 60 | 150 | 184 | 79 | 147.4 | 214.5 | 16.1 | 16.1 | 15.7 | 15.7 | NEB12UD1C | NEB12UD1C | NEB12UD3C | NEB12UD3C |
| 125 | 65 | 150 | 184 | 79 | 147.4 | 214.5 | 16.6 | 16.6 | 16.2 | 16.2 | NEB12UD1D | NEB12UD1D | NEB12UD3D | NEB12UD3D |
| 125 | 80 | 165 | 195 | 80 | 147.4 | 214.5 | 17.7 | 17.7 | 17.7 | 17.7 | NEB12UD1E | NEB12UD1E | NEB12UD1E | NEB12UD1E |
| 125 | 100 | 190 | 200 | 80 | 147.4 | 214.5 | 19.5 | 19.5 | 20.0 | 20.0 | NEB12UD1F | NEB12UD1F | NEB12UD3F | NEB12UD3F |
| 125 | 125 | 267 | 200 | 80 | 147.4 | 214.5 | 23.0 | 23.0 | 23.9 | 23.9 | NEB12UD1G | NEB12UD1G | NEB12UD3G | NEB12UD3G |
| 150 | 40 | 154 | 176 | 80 | 173.4 | 241.5 | 18.9 | 18.9 | 18.9 | 18.9 | NEB15UD1A | NEB15UD1A | NEB15UD1A | NEB15UD1A |
| 150 | 60 | 154 | 196 | 80 | 173.4 | 241.5 | 20.0 | 20.0 | 19.6 | 19.6 | NEB15UD1C | NEB15UD1C | NEB15UD3C | NEB15UD3C |
| 150 | 65 | 154 | 201 | 83 | 173.4 | 241.5 | 20.5 | 20.5 | 20.0 | 20.0 | NEB15UD1D | NEB15UD1D | NEB15UD3D | NEB15UD3D |
| 150 | 80 | 165 | 210 | 83 | 173.4 | 241.5 | 21.5 | 21.5 | 21.5 | 21.5 | NEB15UD1E | NEB15UD1E | NEB15UD1E | NEB15UD1E |
| 150 | 100 | 190 | 219 | 83 | 173.4 | 241.5 | 24.0 | 24.0 | 24.5 | 24.5 | NEB15UD1F | NEB15UD1F | NEB15UD3F | NEB15UD3F |
| 150 | 125 | 220 | 210 | 83 | 173.4 | 241.5 | 25.5 | 25.5 | 26.4 | 26.4 | NEB15UD1G | NEB15UD1G | NEB15UD3G | NEB15UD3G |
| 150 | 150 | 305 | 220 | 83 | 173.4 | 241.5 | 30.5 | 30.5 | 31.5 | 31.5 | NEB15UD1J | NEB15UD1J | NEB15UD3J | NEB15UD3J |
| 200 | 40 | 159 | 209 | 83 | 225.5 | 294.5 | 25.5 | 25.5 | 25.5 | 25.5 | NEB20UD1A | NEB20UD1A | NEB20UD1A | NEB20UD1A |
| 200 | 60 | 159 | 229 | 86 | 225.5 | 294.5 | 26.5 | 26.5 | 26.1 | 26.1 | NEB20UD1C | NEB20UD1C | NEB20UD3C | NEB20UD3C |
| 200 | 65 | 159 | 234 | 86 | 225.5 | 294.5 | 27.0 | 27.0 | 26.6 | 26.6 | NEB20UD1D | NEB20UD1D | NEB20UD3D | NEB20UD3D |
| 200 | 80 | 170 | 240 | 86 | 225.5 | 294.5 | 28.0 | 28.0 | 28.0 | 28.0 | NEB20UD1E | NEB20UD1E | NEB20UD1E | NEB20UD1E |
| 200 | 100 | 195 | 245 | 86 | 225.5 | 294.5 | 30.0 | 30.0 | 30.5 | 30.5 | NEB20UD1F | NEB20UD1F | NEB20UD3F | NEB20UD3F |
| 200 | 125 | 220 | 240 | 86 | 225.5 | 294.5 | 33.0 | 33.0 | 33.9 | 33.9 | NEB20UD1G | NEB20UD1G | NEB20UD3G | NEB20UD3G |
| 200 | 150 | 250 | 245 | 86 | 225.5 | 294.5 | 36.0 | 36.0 | 37.0 | 37.0 | NEB20UD1J | NEB20UD1J | NEB20UD3J | NEB20UD3J |
| 200 | 200 | 360 | 260 | 86 | 225.5 | 294.5 | 45.5 | 45.4 | 46.9 | 46.9 | NEB20UD1K | NEB20UD2K | NEB20UD3K | |

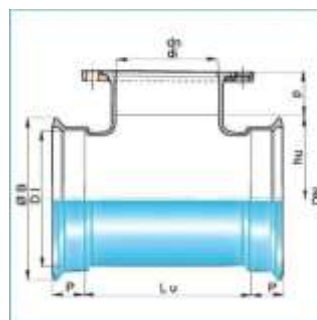
2.15. DN от 60 до 600 / Тройник раструб-фланец с соединением EXPRESS

Сфера использования:

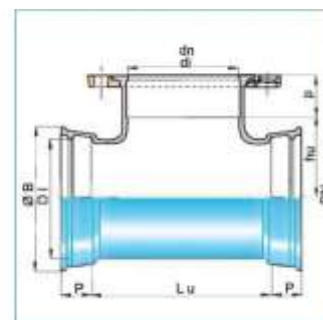
Питьевое водоснабжение

Основные характеристики:

Внутреннее и внешнее эпоксидное покрытие в соответствии со стандартом EN 545, ISO 2531, цвет голубой



DN
250-300

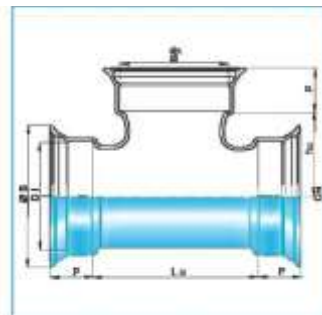


DN
350-600

| DN | d | Lu | hu | P | DI | B | Вес (кг) | | | Артикул | | |
|-----|-----|-----|-------|-----|-------|-------|----------|-------|-------|-----------|-----------|-----------|
| | | | | | | | PN10 | PN16 | PN25 | PN10 | PN16 | PN25 |
| | | | | | | | мм | | | | | |
| 250 | 60 | 164 | 145 | 100 | 276.8 | 351.0 | 39.2 | 39.2 | 38.8 | NEB25UD1C | NEB25UD1C | NEB25UD3C |
| 250 | 65 | 164 | 145 | 100 | 276.8 | 351.0 | 39.7 | 39.7 | 39.8 | NEB25UD1D | NEB25UD1D | NEB25UD3D |
| 250 | 80 | 234 | 165.5 | 100 | 276.8 | 351.0 | 45.1 | 45.1 | 45.1 | NEB25UD1E | NEB25UD1E | NEB25UD3E |
| 250 | 150 | 251 | 145.5 | 100 | 276.8 | 351.0 | 50.7 | 50.7 | 51.7 | NEB25UD1J | NEB25UD1J | NEB25UD3J |
| 250 | 200 | 344 | 148 | 100 | 276.8 | 351.0 | 62.0 | 61.9 | 63.4 | NEB25UD1K | NEB25UD2K | NEB25UD3K |
| 250 | 250 | 404 | 180 | 100 | 276.8 | 351.0 | 72.6 | 72.2 | 75.1 | NEB25UD1L | NEB25UD2L | NEB25UD3L |
| 300 | 60 | 237 | 170 | 105 | 328.8 | 408.2 | 56.8 | 56.8 | 56.4 | NEB30UD1C | NEB30UD1C | NEB30UD3C |
| 300 | 65 | 237 | 170 | 105 | 328.8 | 408.2 | 57.3 | 57.3 | | NEB30UD1D | NEB30UD1D | NEB30UD3D |
| 300 | 80 | 237 | 170 | 105 | 328.8 | 408.2 | 58.3 | 58.3 | 58.3 | NEB30UD1E | NEB30UD1E | NEB30UD3E |
| 300 | 150 | 347 | 175.5 | 105 | 328.8 | 408.2 | 72.2 | 72.2 | 73.2 | NEB30UD1J | NEB30UD1J | NEB30UD3J |
| 300 | 200 | 347 | 178 | 105 | 328.8 | 408.2 | 77.0 | 76.9 | 78.4 | NEB30UD1K | NEB30UD2K | NEB30UD3K |
| 300 | 250 | 467 | 185 | 105 | 328.8 | 408.2 | 91.6 | 91.2 | 94.5 | NEB30UD1L | NEB30UD2L | NEB30UD3L |
| 300 | 300 | 467 | 209.5 | 105 | 328.8 | 408.2 | 101.0 | 100.3 | 103.9 | NEB30UD1M | NEB30UD2M | NEB30UD3M |
| 350 | 60 | 148 | 195 | 110 | 380.8 | 463.2 | 62.0 | 62.0 | 62.0 | NEB35UD1C | NEB35UD1C | NEB35UD3C |
| 350 | 65 | 148 | 195 | 110 | 380.8 | 463.2 | 62.0 | 62.0 | | NEB35UD1D | NEB35UD1D | |
| 350 | 80 | 194 | 225.5 | 110 | 380.8 | 463.2 | 70.0 | 70.0 | 70.0 | NEB35UD1E | NEB35UD1E | NEB35UD3E |
| 350 | 150 | 314 | 205.5 | 110 | 380.8 | 463.2 | 86.0 | 86.0 | 86.0 | NEB35UD1J | NEB35UD1J | NEB35UD3J |
| 350 | 200 | 314 | 208 | 110 | 380.8 | 463.2 | 90.0 | 90.0 | 99.0 | NEB35UD1K | NEB35UD2K | NEB35UD3K |
| 350 | 250 | 369 | 240 | 110 | 380.8 | 463.2 | 101.6 | 101.2 | 104.1 | NEB35UD1L | NEB35UD2L | NEB35UD3L |
| 350 | 300 | 485 | | 110 | 380.8 | 463.2 | 109.0 | 110.0 | | NEB35UD1M | NEB35UD2M | |
| 350 | 350 | 485 | 217.5 | 110 | 380.8 | 463.2 | 129.1 | 129.9 | 136.0 | NEB35UD1Y | NEB35UD2Y | NEB35UD3Y |
| 400 | 80 | 195 | 255.5 | 110 | 432.0 | 515.2 | 83.0 | 83.0 | 83.0 | NEB40UD1E | NEB40UD1E | NEB40UD3E |
| 400 | 150 | 315 | 235.5 | 110 | 432.0 | 515.2 | 100.2 | 100.2 | 101.2 | NEB40UD1J | NEB40UD1J | NEB40UD3J |
| 400 | 200 | 315 | 238 | 110 | 432.0 | 515.2 | 97.9 | 97.8 | 99.3 | NEB40UD1K | NEB40UD2K | NEB40UD3K |
| 400 | 250 | 429 | 270 | 110 | 432.0 | 515.2 | 116.6 | 116.2 | 119.1 | NEB40UD1L | NEB40UD2L | NEB40UD3L |
| 400 | 300 | 429 | 269.5 | 110 | 432.0 | 515.2 | 121.3 | 120.6 | 124.2 | NEB40UD1M | NEB40UD2M | NEB40UD3M |
| 400 | 400 | 545 | 245.5 | 110 | 432.0 | 515.2 | 164.5 | 169.0 | 178.0 | NEB40UD1N | NEB40UD2N | NEB40UD3N |
| 450 | 150 | 315 | 265.5 | 120 | 483.0 | 575.0 | 108.2 | 108.2 | 109.2 | NEB45UD1J | NEB45UD1J | NEB45UD3J |
| 450 | 200 | 315 | 268 | 120 | 483.0 | 575.0 | 138.5 | 138.4 | 139.9 | NEB45UD1K | NEB45UD2K | NEB45UD3K |
| 450 | 250 | 600 | 300 | 120 | 483.0 | 575.0 | 143.6 | 143.2 | 146.1 | NEB45UD1L | NEB45UD2L | NEB45UD3L |
| 450 | 300 | 600 | 303 | 120 | 483.0 | 575.0 | 150.3 | 149.6 | 153.2 | NEB45UD1M | NEB45UD2M | NEB45UD3M |
| 450 | 400 | 600 | 275.5 | 120 | 483.0 | 575.0 | 191.7 | 195.8 | 205.0 | NEB45UD1N | NEB45UD2N | NEB45UD3N |
| 450 | 450 | 600 | 278.5 | 120 | 483.0 | 575.0 | 200.8 | 207.2 | 214.4 | NEB45UD1P | NEB45UD2P | NEB45UD3P |
| 500 | 150 | 325 | 295.5 | 120 | 535.0 | 628.2 | 150.2 | 150.2 | 151.2 | NEB50UD1J | NEB50UD1J | NEB50UD3J |
| 500 | 200 | 325 | 298 | 120 | 535.0 | 628.2 | 154.0 | 154.0 | 155.0 | NEB50UD1K | NEB50UD2K | NEB50UD3K |
| 500 | 250 | 443 | 330 | 120 | 535.0 | 628.2 | 178.6 | 178.2 | 181.1 | NEB50UD1L | NEB50UD2L | NEB50UD3L |
| 500 | 300 | 443 | 329.5 | 120 | 535.0 | 628.2 | 192.3 | 191.6 | 195.2 | NEB50UD1M | NEB50UD2M | NEB50UD3M |

| | | | | | | | | | | | | |
|------------|-----|-----|-------|-----|-------|-------|-------|-------|-------|-----------|-----------|-----------|
| 500 | 400 | 555 | 305.5 | 120 | 535.0 | 628.2 | 221.0 | 226.0 | 235.0 | NEB50UD1N | NEB50UD2N | NEB50UD3N |
| 500 | 500 | 675 | 307.5 | 120 | 535.0 | 628.2 | 264.0 | 277.0 | 283.0 | NEB50UD1Q | NEB50UD2Q | NEB50UD3Q |
| 600 | 100 | 340 | 358 | 135 | 638.6 | 737.5 | 185.5 | 185.5 | 186.0 | NEB60UD1F | NEB60UD1F | NEB60UD3F |
| 600 | 300 | 452 | 389.5 | 135 | 638.6 | 737.5 | 236.0 | 235.3 | 238.9 | NEB60UD1M | NEB60UDM | NEB60UD3M |
| 600 | 400 | 570 | 365.5 | 135 | 638.6 | 737.5 | 278.0 | 283.0 | 292.0 | NEB60UD1N | NEB60UD2N | NEB60UD3N |
| 600 | 600 | 800 | 363.5 | 135 | 638.6 | 737.5 | 381.0 | 406.0 | 409.0 | NEB60UD1R | NEB60UD2R | NEB60UD3R |

2.16. DN от 60 до 200 / Тройник раструбный с соединением EXPRESS



Сфера использования:

Питьевое водоснабжение

Основные характеристики:

Внутреннее и внешнее эпоксидное покрытие в соответствии со стандартом

EN 545, ISO 2531

| DN | dn | Lu | P | DI | B | hu | P | di | Вес (кг) | Артикул |
|-----|-----|-----|----|-------|-------|-------|----|-------|----------|-----------|
| | | | | | | | | | | |
| 60 | 60 | 154 | 76 | 80.3 | 143.5 | 159 | 76 | 80.3 | 9.5 | NEA60TEOC |
| 80 | 60 | 145 | 79 | 101.4 | 167.5 | 167 | 76 | 80.3 | 11.4 | NEA80TEOC |
| 80 | 80 | 183 | 79 | 101.4 | 167.5 | 176.5 | 79 | 101.4 | 13 | NEA80TEOE |
| 100 | 60 | 150 | 80 | 121.4 | 187.5 | 179 | 76 | 80.3 | 13.3 | NEB10TEOC |
| 100 | 80 | 185 | 80 | 121.4 | 187.5 | 189 | 79 | 101.4 | 14.9 | NEB10TEOE |
| 100 | 100 | 210 | 80 | 121.4 | 187.5 | 193 | 80 | 121.4 | 16.2 | NEB10TEOF |
| 125 | 125 | 267 | 83 | 147.4 | 214.5 | 224.5 | 83 | 147.4 | 21.5 | NEB12TEOG |
| 150 | 60 | 154 | 86 | 173.4 | 241.5 | 194 | 76 | 80.3 | 19 | NEB15TEOC |
| 150 | 80 | 165 | 86 | 173.4 | 241.5 | 222 | 79 | 101.4 | 20.5 | NEB15TEOE |
| 150 | 100 | 190 | 86 | 173.4 | 241.5 | 228 | 80 | 121.4 | 22 | NEB15TEOF |
| 150 | 150 | 305 | 86 | 173.4 | 241.5 | 246.5 | 86 | 173.4 | 28.9 | NEB15TEOJ |
| 200 | 60 | 159 | 92 | 225.5 | 294.5 | 227.5 | 76 | 80.3 | 25.5 | NEB20TEOC |
| 200 | 80 | 170 | 92 | 225.5 | 294.5 | 252 | 79 | 101.4 | 27 | NEB20TEOE |
| 200 | 100 | 195 | 92 | 225.5 | 294.5 | 258 | 80 | 121.4 | 29 | NEB20TEOF |
| 200 | 150 | 250 | 92 | 225.5 | 294.5 | 271.5 | 86 | 173.4 | 34 | NEB20TEOJ |
| 200 | 200 | 360 | 92 | 225.5 | 294.5 | 280 | 92 | 225.5 | 42 | NEB20TEQK |

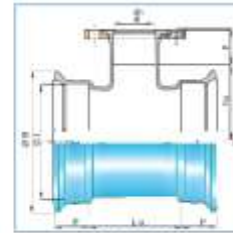
2.17. DN от 250 до 600 / Тройник раструб-фланец дренажный с соединением EXPRESS

Сфера применения:

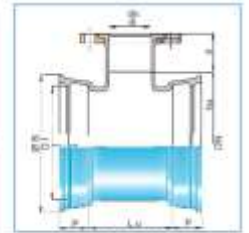
Питьевое водоснабжение

Основные характеристики:

Внутреннее и внешнее эпоксидное покрытие в соответствии со стандартом EN 545, ISO 2531



DN 250-300



DN 350-600

DN
250-300

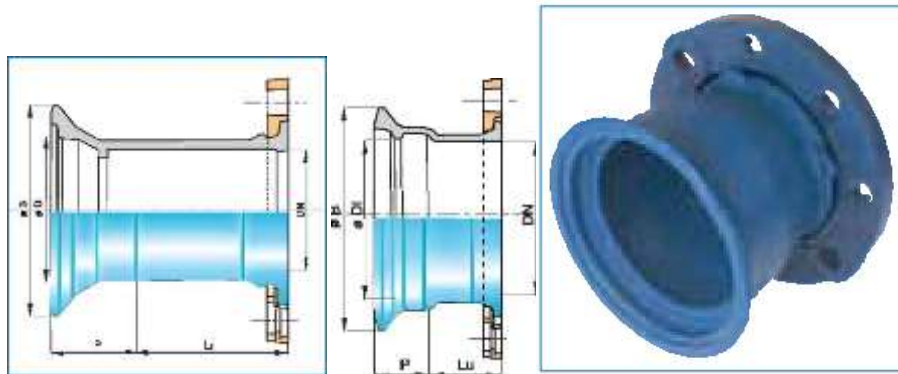
DN
350-600

| DN | d | Lu | hu | P | DI | B | Вес (кг) | | | Артикул | | |
|-----|-----|-----|-------|-----|-------|-------|----------|-------|-------|-----------|-----------|-----------|
| | | | | | | | мм | | | PN10 | PN16 | PN25 |
| 250 | 100 | 204 | 165.5 | 100 | 276.8 | 351 | 30.16 | 30.16 | 30.66 | NEB25UV1F | NEB25UV1F | NEB25UV3F |
| 300 | 100 | 210 | 195.5 | 105 | 328.8 | 408.2 | 36.7 | 36.7 | 36.7 | NEB30UV1F | NEB30UV1F | NEB30UV3F |
| 350 | 100 | 194 | 225.5 | 110 | 380.8 | 463.2 | 71 | 71 | 72 | NEB35UV1F | NEB35UV1F | NEB35UV3F |
| 400 | 100 | 195 | 255.5 | 110 | 432 | 515.2 | 83.5 | 83.5 | 84 | NEB40UV1F | NEB40UV1F | NEB40UV3F |
| 500 | 100 | 210 | 315.5 | 120 | 535 | 628.2 | 126.5 | 126.5 | 127 | NEB50UV1F | NEB50UV1F | NEB50UV3F |
| 600 | 200 | 340 | 358 | 135 | 638.6 | 737.5 | 200 | 200 | 200 | NEB60UV1K | NEB60UV2K | NEB60UV3K |

•

•

4.5. DN от 60 до 600 / Патрубок фланец-раструб с соединением EXPRESS



| DN | Lu | P | DI | B | Вес (кг) | | | | Артикул | | | |
|-----|-----|----|-------|-------|----------|-------|-------|-------|----------|----------|----------|----------|
| | | | | | мм | | | | PN10 | PN16 | PN25 | PN40 |
| 60 | 126 | 76 | 80.3 | 143.5 | 6.6 | 6.6 | 6.2 | 6.2 | NEA60BE1 | NEA60BE1 | NEA60BE3 | NEA60BE3 |
| 65 | - | - | - | - | 7.1 | 7.1 | 6.7 | 6.7 | NEA65BE1 | NEA65BE1 | NEA65BE3 | NEA65BE3 |
| 80 | 128 | 79 | 101.4 | 167.5 | 8.2 | 8.2 | 8.2 | 8.2 | NEA80BE1 | NEA80BE1 | NEA80BE1 | NEA80BE1 |
| 100 | 105 | 80 | 121.4 | 187.5 | 7.15 | 7.15 | 5.2 | 5.2 | NEB10BE1 | NEB10BE1 | NEB10BE3 | NEB10BE3 |
| 125 | 110 | 83 | 147.4 | 214.5 | 9.15 | 9.15 | 10.05 | 10.05 | NEB12BE1 | NEB12BE1 | NEB12BE3 | NEB12BE3 |
| 150 | 110 | 86 | 173.4 | 241.5 | 11.33 | 11.33 | 12.33 | 12.33 | NEB15BE1 | NEB15BE1 | NEB15BE3 | NEB15BE3 |
| 200 | 115 | 92 | 225.5 | 294.5 | 16.25 | 16.15 | 17.65 | 18.04 | NEB20BE1 | NEB20BE2 | NEB20BE3 | NEB20BE4 |

| DN | Lu | P | DI | B | Вес (кг) | | | | Артикул | | | |
|-----|-----|-----|-------|-------|----------|-------|-------|----|----------|----------|----------|----------|
| | | | | | мм | | | | PN10 | PN16 | PN25 | PN40 |
| 250 | 125 | 100 | 276.8 | 351 | 25.39 | 24.99 | 27.89 | 46 | NEB25BE1 | NEB25BE2 | NEB25BE3 | NEB25BE4 |
| 300 | 130 | 105 | 328.8 | 408.2 | 32.5 | 31.8 | 35.4 | 66 | NEB30BE1 | NEB30BE2 | NEB30BE3 | NEB30BE4 |
| 350 | 145 | 110 | 380.8 | 463.2 | 57.6 | 58.4 | 64.5 | | NEB35BE1 | NEB35BE2 | NEB35BE3 | |
| 400 | 150 | 110 | 432.0 | 515.2 | 65.5 | 70.0 | 79.0 | | NEB40BE1 | NEB40BE2 | NEB40BE3 | |
| 450 | 155 | 120 | 483.0 | 575.0 | 82.0 | 88.0 | 96.0 | | NEB45BE1 | NEB45BE2 | NEB45BE3 | |
| 500 | 180 | 120 | 535.0 | 628.2 | 93.0 | 106.0 | 112.0 | | NEB50BE1 | NEB50BE2 | NEB50BE3 | |
| 600 | 190 | 135 | 638.6 | 737.5 | 124.0 | 149.0 | 152.0 | | NEB60BE1 | NEB60BE2 | NEB60BE3 | |

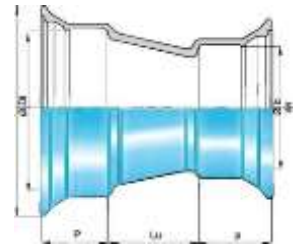
Сфера применения:

Питьевое водоснабжение

Основные характеристики:

Внутреннее и внешнее эпоксидное покрытие в соответствии со стандартом EN 545, ISO 2531

3.4. DN от 80 до 600 / Переход раструбный



С соединением EXPRESS

Сфера применения:

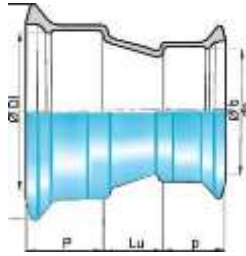
Питьевое водоснабжение

Основные характеристики:

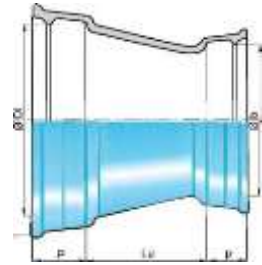
Внутреннее и внешнее эпоксидное покрытие в соответствии со стандартом EN 545, ISO 2531, голубой цвет

| DN | dn | Lu | P | DI | B | P | di | Вес (кг) | Артикул |
|-----|-----|-------|----|-------|-------|----|-------|----------|-----------|
| | | | | | | | | | |
| 80 | 60 | 103.5 | 79 | 101.4 | 167.5 | 76 | 80.3 | 7.0 | NEA80VE0C |
| 100 | 60 | 100 | 80 | 121.4 | 187.5 | 76 | 80.3 | 7.7 | NEB10VE0C |
| 100 | 80 | 104.5 | 80 | 121.4 | 187.5 | 79 | 101.4 | 8.7 | NEB10VE0E |
| 125 | 60 | 150 | 83 | 147.4 | 214.5 | 76 | 80.3 | 9.5 | NEB12VE0C |
| 125 | 80 | 120 | 83 | 147.4 | 214.5 | 79 | 101.4 | 9.9 | NEB12VE0E |
| 125 | 100 | 105.5 | 83 | 147.4 | 214.5 | 80 | 121.4 | 10.4 | NEB12VE0F |
| 150 | 60 | 200 | 86 | 173.4 | 241.5 | 76 | 80.3 | 12.2 | NEB15VE0C |
| 150 | 80 | 170 | 86 | 173.4 | 241.5 | 79 | 101.4 | 12.6 | NEB15VE0E |
| 150 | 100 | 130 | 86 | 173.4 | 241.5 | 80 | 121.4 | 12.6 | NEB15VE0F |
| 150 | 125 | 107 | 86 | 173.4 | 241.5 | 83 | 147.4 | 13.0 | NEB15VE0G |
| 200 | 100 | 230 | 92 | 225.5 | 294.5 | 80 | 121.4 | 18.3 | NEB20VE0F |
| 200 | 125 | 180 | 92 | 225.5 | 294.5 | 83 | 147.4 | 18.0 | NEB20VE0G |
| 200 | 150 | 125 | 92 | 225.5 | 294.5 | 86 | 173.4 | 18.0 | NEB20VE0J |

DN 250-300



DN 350-600

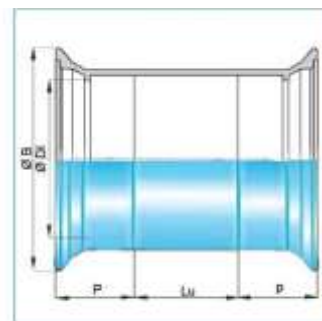


| DN | dn | Lu P DI B p di | | | | | | Вес (кг) | Артикул |
|-----|-----|--------------------------|-----|-------|-------|-----|-------|----------|-----------|
| | | MM | | | | | | | |
| 250 | 125 | 275 | 100 | 276.8 | 351.0 | 83 | 147.4 | 30 | NEB25VE0G |
| 250 | 150 | 225 | 100 | 276.8 | 351.0 | 86 | 173.4 | 30 | NEB25VE0J |
| 250 | 200 | 125 | 100 | 276.8 | 351.0 | 92 | 225.5 | 30.5 | NEB25VE0K |
| 300 | 150 | 321.5 | 105 | 328.8 | 408.2 | 86 | 173.4 | 40 | NEB30VE0J |
| 300 | 200 | 222 | 105 | 328.8 | 408.2 | 92 | 225.5 | 40.5 | NEB30VE0K |
| 300 | 250 | 123 | 105 | 328.8 | 408.2 | 100 | 276.8 | 39 | NEB30VE0L |
| 350 | 200 | 335 | 110 | 380.8 | 463.2 | 92 | 225.5 | 54.5 | NEB35VE0K |
| 350 | 250 | 260 | 110 | 380.8 | 463.2 | 100 | 276.8 | 52 | NEB35VE0L |
| 350 | 300 | 187 | 110 | 380.8 | 463.2 | 105 | 328.8 | 55 | NEB35VE0M |
| 400 | 250 | 335 | 110 | 432.0 | 515.2 | 100 | 276.8 | 65 | NEB40VE0L |
| 400 | 300 | 260 | 110 | 432.0 | 515.2 | 105 | 328.8 | 60 | NEB40VE0M |
| 400 | 350 | 176 | 110 | 432.0 | 515.2 | 110 | 380.8 | 62 | NEB40VE0Y |
| 450 | 300 | 335 | 120 | 483.0 | 575.0 | 105 | 238.8 | 85 | NEB45VE0M |
| 450 | 350 | 234 | 120 | 483.0 | 575.0 | 110 | 380.8 | 84 | NEB45VE0Y |
| 450 | 400 | 166 | 120 | 483.0 | 575.0 | 110 | 432.0 | 84 | NEB45VE0N |
| 500 | 350 | 378 | 120 | 535.0 | 628.2 | 110 | 380.8 | 97 | NEB50VE0Y |
| 500 | 400 | 290 | 120 | 535.0 | 628.2 | 110 | 432.0 | 91 | NEB50VE0N |
| 500 | 450 | 160 | 120 | 535.0 | 628.2 | 120 | 483.0 | 78 | NEB50VE0P |
| 600 | 400 | 460 | 135 | 638.6 | 737.5 | 110 | 432.0 | 155 | NEB60VE0N |
| 600 | 450 | 360 | 135 | 638.6 | 737.5 | 120 | 483.0 | 123 | NEB60VE0P |
| 600 | 500 | 258 | 135 | 638.6 | 737.5 | 120 | 535.0 | 125 | NEB60VE0Q |

5.1. DN от 60 до 600 / Муфта раструбная с соединением EXPRESS

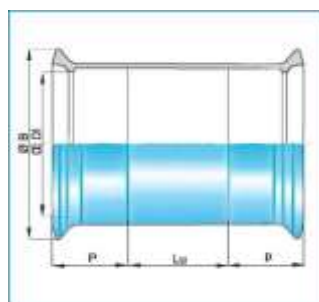
Сфера использования:
Питьевое водоснабжение

Основные характеристики:
Внутреннее и внешнее эпоксидное покрытие в соответствии со стандартом EN 545, ISO 2531, голубой цвет, подвижная муфта

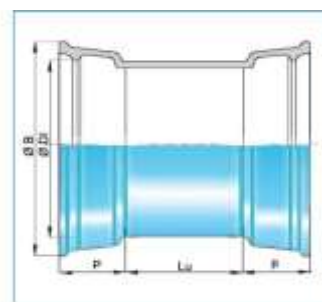


DN 60-200

| DN | Lu | P | DI | B | Вес | Артикул |
|-----|-----|----|-------|-------|------|---------|
| | | | | | (кг) | |
| мм | | | | | | |
| 60 | 156 | 76 | 80.3 | 143.5 | 6.9 | NEA60MN |
| 80 | 158 | 79 | 101.4 | 167.5 | 8.8 | NEA80MN |
| 100 | 160 | 80 | 121.4 | 187.5 | 7.1 | NEB10MN |
| 125 | 165 | 83 | 147.4 | 214.5 | 8.7 | NEB12MN |
| 150 | 165 | 86 | 173.4 | 241.5 | 10.4 | NEB15MN |
| 200 | 170 | 92 | 225.5 | 294.5 | 14.5 | NEB20MN |



DN 350-600



DN 250-300

| DN | Lu | P | DI | B | Вес | Артикул |
|-----|-----|-----|-------|-------|-------|---------|
| | | | | | (кг) | |
| мм | | | | | | |
| 250 | 175 | 100 | 276.8 | 351.0 | 24.3 | NEB25MN |
| 300 | 180 | 105 | 328.8 | 408.2 | 30.2 | NEB30MN |
| 350 | 185 | 110 | 380.8 | 463.2 | 55.0 | NEB35MN |
| 400 | 190 | 110 | 432.0 | 515.2 | 67.0 | NEB40MN |
| 450 | 195 | 120 | 483.0 | 575.0 | 76.0 | NEB45MN |
| 500 | 200 | 120 | 535.0 | 628.2 | 100.0 | NEB50MN |
| 600 | 210 | 135 | 638.6 | 737.5 | 131.0 | NEB60MN |